

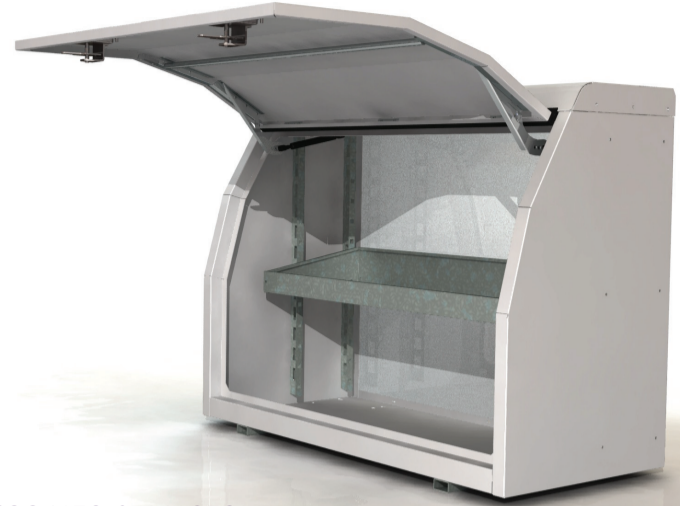
1200 LT-SERVICE S3 TOOLBOX

THE 1200 LT SERVICE TOOLBOX IS BASED ON THE POPULAR LT-SERVICE SHAPE. THE BOX HAS A GAS STRUT ASSISTED DOOR WITH STAINLESS STEEL LOCKS. IT FEATURES ADJUSTABLE SHELVING, WITH ONE SHELF SUPPLIED AS STANDARD. THE UNIT COMES POWDERCOATED IN A RANGE OF COLOURS. IT IS MOUNTED ON RAILS AND CAN BE BOLTED TO YOUR ALUMINIUM OR STEEL TRAY. COMBINE SEVERAL BOXES DEPENDING ON YOUR TRAY SIZE AND INDIVIDUAL REQUIREMENTS.

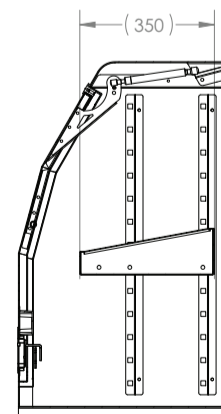
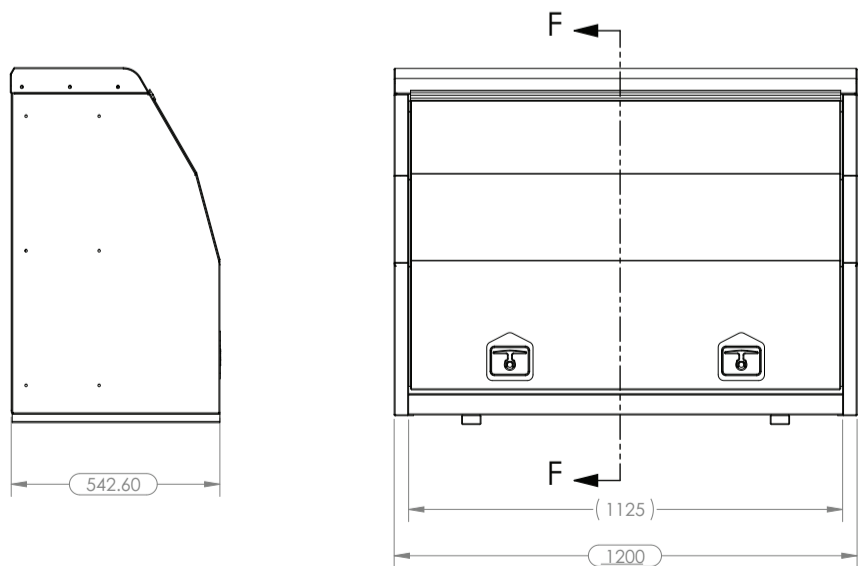
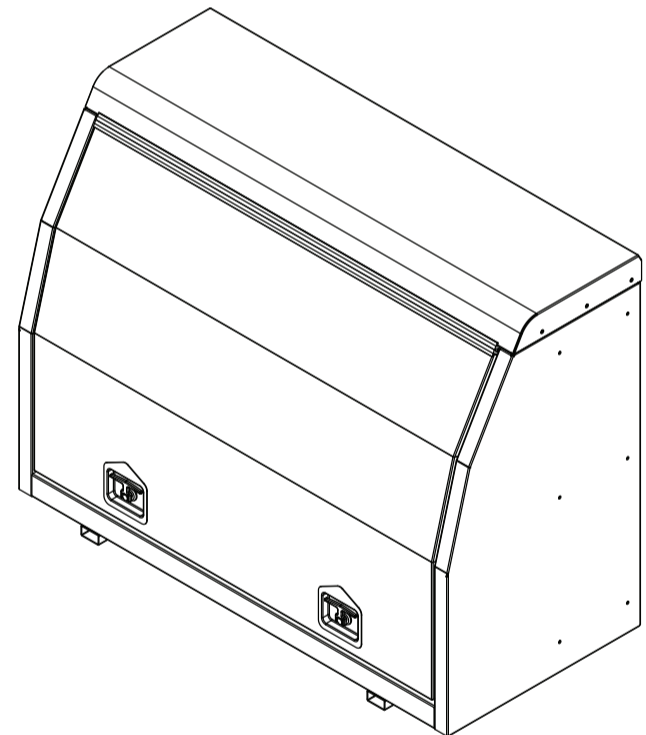
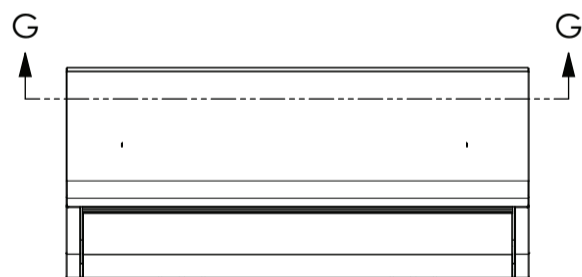
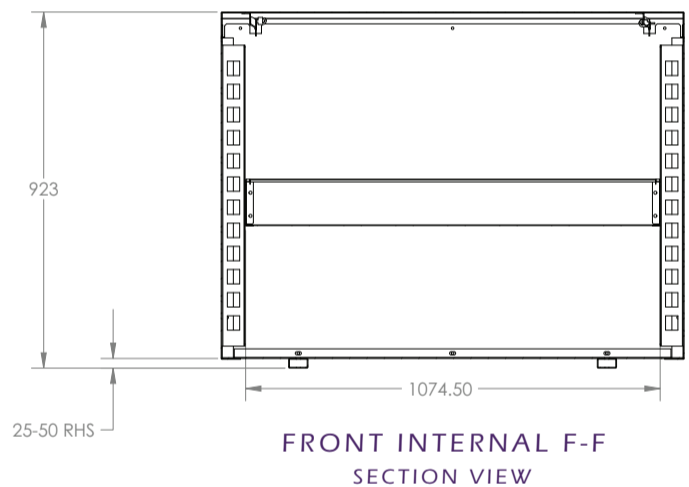
- SUITABLE FOR ALL 1 TONNE VEHICLES.
- LIGHT WEIGHT, RUST RESISTANT ALUMINIUM CONSTRUCTION.

OPTIONS:

- | | |
|---------------------|-----------------------------------|
| ADDITIONAL SHELVING | ADJUSTABLE GAS BOTTLE MOUNTS |
| SLIDE OUT DRAWERS | VENTED COMPARTMENTS |
| SLIDE OUT WORKBENCH | ROTARY VENTS |
| | RUBBER OR CARPET FLOOR/SHELF MATS |
| | BI-FOLD DOORS |



*REFER TO WEBSITE FOR FULL LIST OF ACCESSORIES & PRICES



SIDE INTERNAL F-F SECTION VIEW



TRADE SERVICE BODY

28 Quality Drive, Dandenong, Victoria, 3175
 ph 1300 131 574 Email info@tsb.net.au
www.tsb.net.au