

1800 BUILDER S3 SHOVEL

THE BUILDER SHOVEL MODEL IS A FULLY ENCLOSED UNIT. COMPRISED OF 5 SEPARATE COMPARTMENTS, 2 ACCESSED FROM EACH SIDE AND 1 FROM THE REAR. ALL INTERNAL WALLS CAN BE CUSTOMISED. 300KG RATED LADDER RACKS, SHOVEL DRAWER AND 1 ADJUSTABLE SHELF PER SIDE COMPARTMENT FITTED AS STANDARD. THE UNIT COMES POWDERCOATED IN A RANGE OF COLOURS. IT IS A REMOVABLE BODY AND CLAMPS TO YOUR ALUMINIUM OR STEEL TRAY WITH THE TSB CLAMPING SYSTEM (INCL).

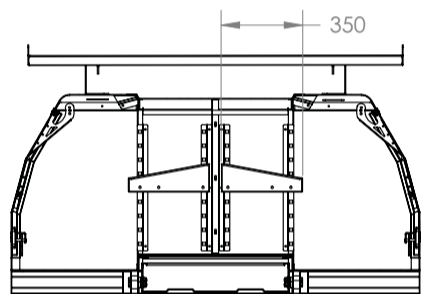
- SUITABLE FOR ALL 1 TONNE DUAL/CREW CAB VEHICLES.
- LIGHT WEIGHT, RUST RESISTANT ALUMINIUM CONSTRUCTION.

OPTIONS:

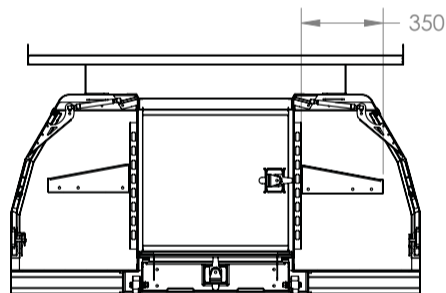
- ADDITIONAL SHELVING
- SLIDE OUT DRAWERS
- SLIDE OUT WORKBENCH
- REMOTE CENTRAL LOCKING
- REVERSING CAMERA
- UNDERSIDE TOOLBOXES
- UNDERSIDE WASH STATION
- REAR SWING OUT VICE
- LADDER RACK INFILL BARS
- LADDER RACK EXTENTION

- INTERNAL SLIDE OUT VICE
- ADJUSTABLE GAS BOTTLE MOUNTS
- VENTED COMPARTMENTS
- ROTARY VENTS
- RUBBER OR CARPET FLOOR/SHELF MATS
- PIVOTING SPARE WHEEL MOUNT
- COMPRESSOR MANIFOLD
- EMERGENCY LIGHTING/ FLOOD LIGHTS
- JACKS (SET OF 4)

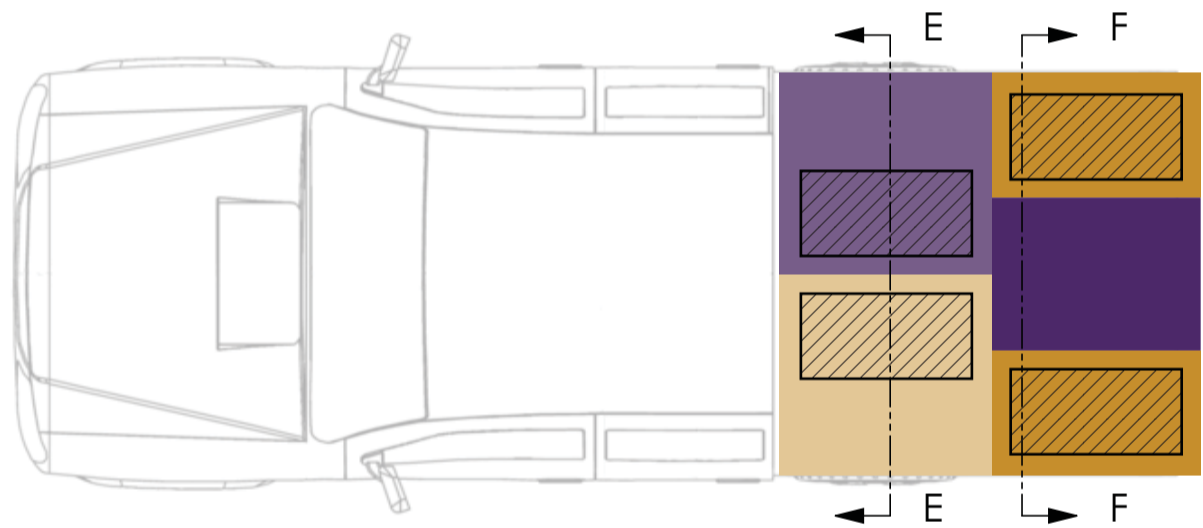
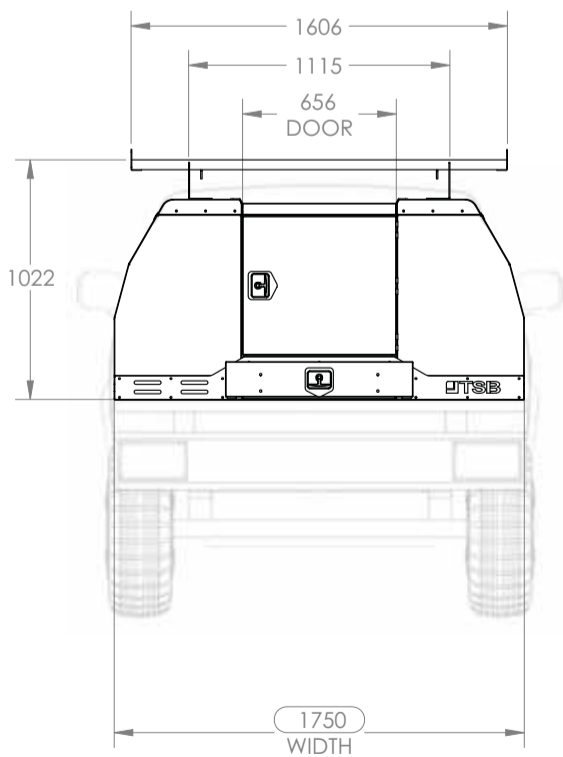
*REFER TO WEBSITE FOR FULL LIST OF ACCESSORIES



STANDARD SHELVING E-E
SECTION VIEW

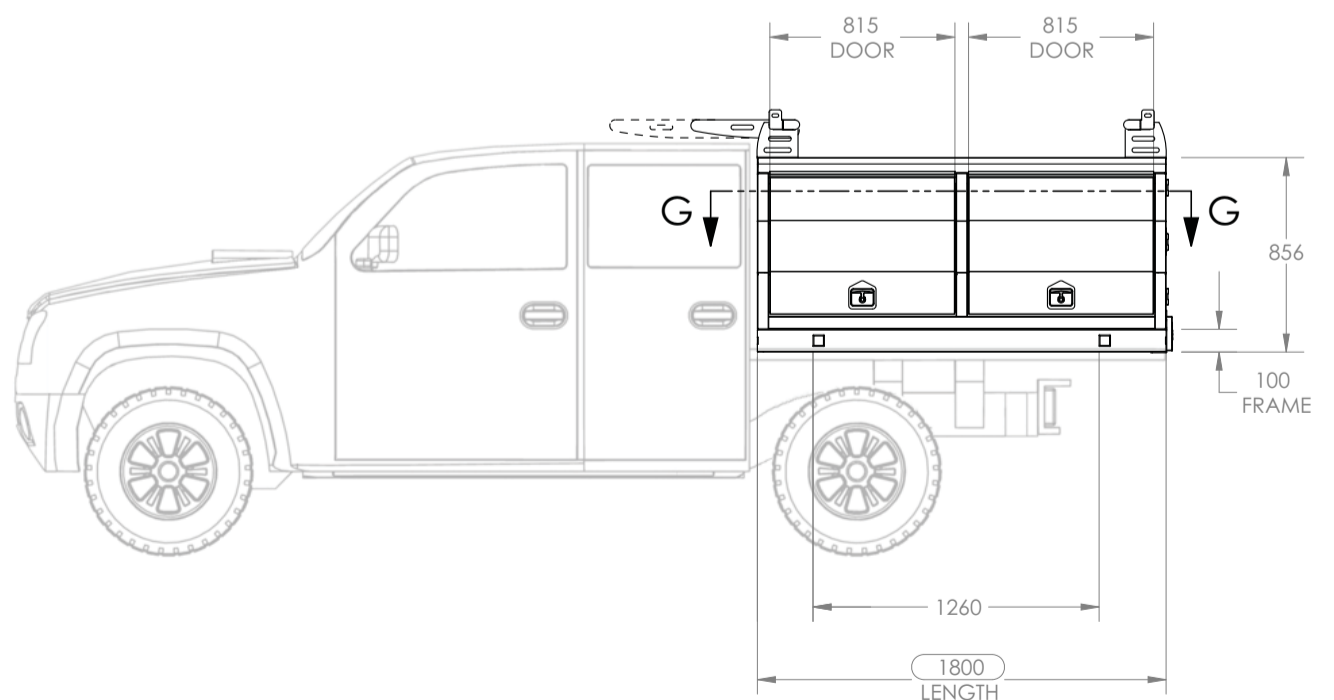


STANDARD SHELVING F-F
SECTION VIEW



FLOOR PLAN G-G

- COMPARTMENT 1
- COMPARTMENT 2
- COMPARTMENT 3
- COMPARTMENT 4
- STANDARD SHELF
- OPTIONAL WALLS



note: vehicle for visual puposes only

TSB

TRADE SERVICE BODY

28 Quality Drive, Dandenong, Victoria, 3175
ph 1300 131 574 Email info@tsb.net.au
www.tsb.net.au