

1800 LT-SERVICE S3

THE LT SERVICE MODEL IS A FULLY ENCLOSED UNIT. IT IS COMPRISED OF 2 SEPARATE COMPARTMENTS AND 1 LARGE T-SECTION OPEN SPACE. ALL INTERNAL WALLS CAN BE CUSTOMISED. 300KG RATED LADDER RACKS AND 2 ADJUSTABLE SHELVES PER COMPARTMENT FITTED AS STANDARD. THE UNIT COMES POWDERCOATED IN A RANGE OF COLOURS. IT IS A REMOVABLE BODY AND CLAMPS TO YOUR ALUMINIUM OR STEEL TRAY WITH THE TSB CLAMPING SYSTEM (INCL).

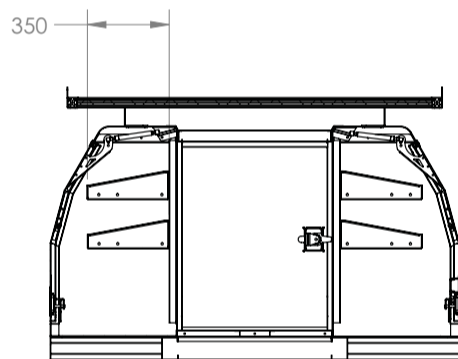
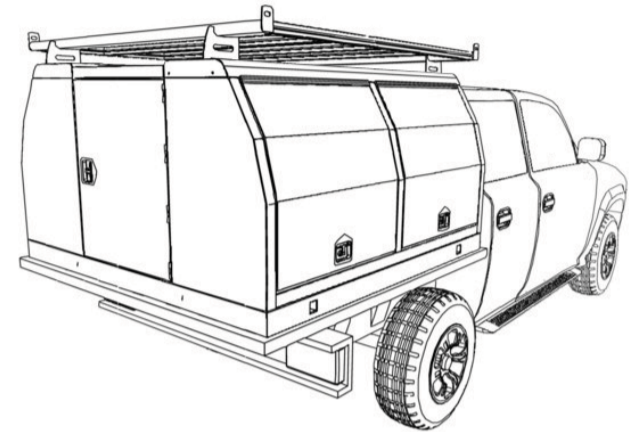
- SUITABLE FOR ALL 1 TONNE DUAL/CREW CAB VEHICLES.
- LIGHT WEIGHT, RUST RESISTANT ALUMINIUM CONSTRUCTION.

OPTIONS:

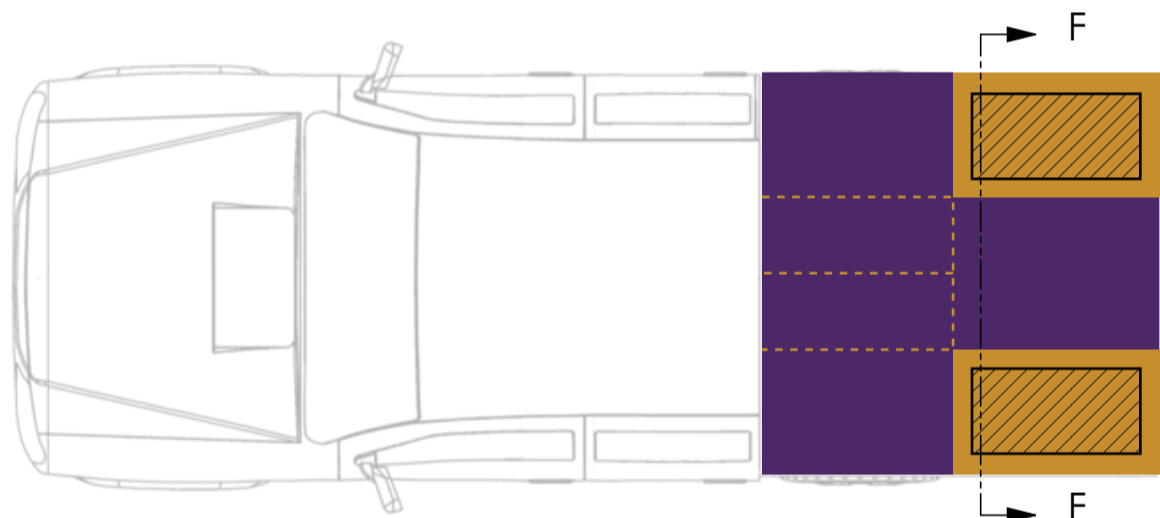
ADDITIONAL SHELVING
 SLIDE OUT DRAWERS
 SLIDE OUT WORKBENCH
 REMOTE CENTRAL LOCKING
 REVERSING CAMERA
 UNDERSIDE TOOLBOXES
 UNDERSIDE WASH STATION
 REAR SWING OUT VICE
 INTERNAL SLIDE OUT VICE
 LADDER RACK EXTENTION

ADJUSTABLE GAS BOTTLE MOUNTS
 VENTED COMPARTMENTS
 ROTARY VENTS
 RUBBER OR CARPET FLOOR/SHELF MATS
 PIVOTING SPARE WHEEL MOUNT
 COMPRESSOR MANIFOLD
 EMERGENCY LIGHTING/ FLOOD LIGHTS
 BI-FOLD DOORS
 JACKS (SET OF 4)

*REFER TO WEBSITE FOR FULL LIST OF ACCESSORIES & PRICES

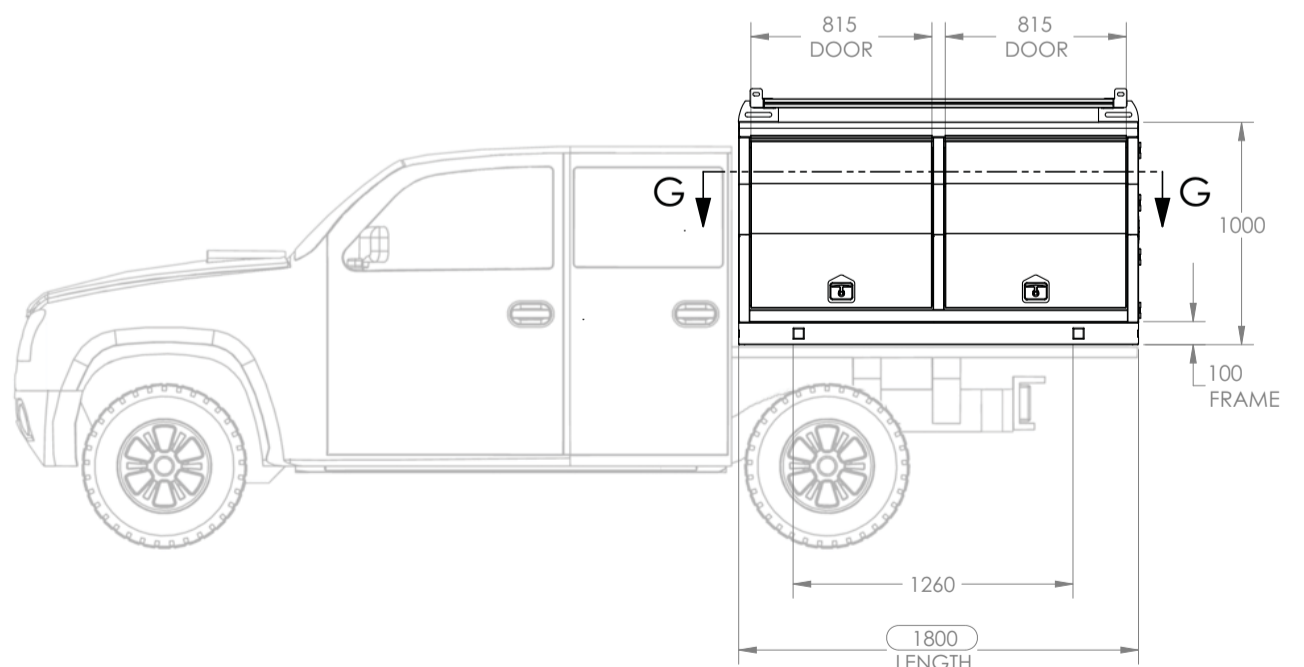
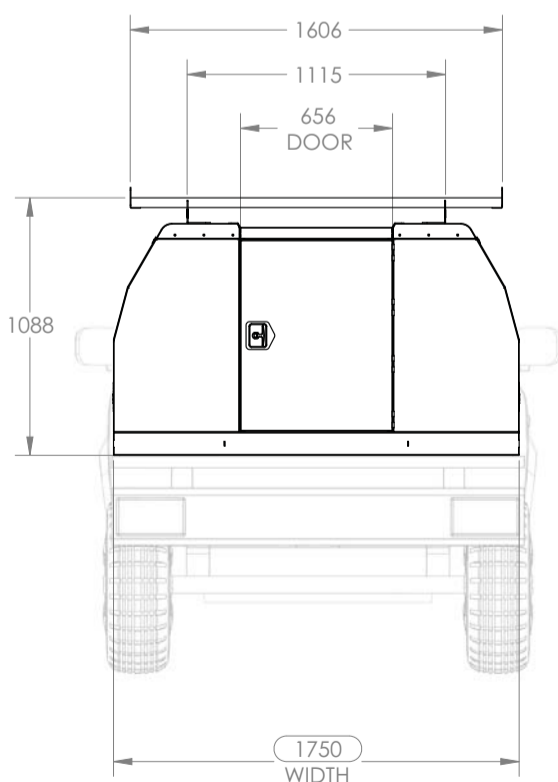


STANDARD SHELVING F-F
SECTION VIEW



FLOOR PLAN G-G

- COMPARTMENT 1
- COMPARTMENT 2
- ▨ STANDARD SHELF
- - - OPTIONAL WALLS



note: vehicle for visual puposes only

TSB

TRADE SERVICE BODY

28 Quality Drive, Dandenong, Victoria, 3175
 ph 1300 131 574 Email info@tsb.net.au
www.tsb.net.au