

1800 PLUMBER S3

THE PLUMBER MODEL IS COMPRISED OF 4 COMPARTMENTS, 1 ACCESSED FROM EACH SIDE, AND 2 FROM THE REAR. THE UNIT ALSO INCLUDES A FULL LENGTH CENTRE AISLE. THE REAR COMPARTMENTS ARE SPECIFICALLY DESIGNED FOR GAS BOTTLE STORAGE. 300KG RATED LADDER RACKS, SHOVEL DRAWER AND 1 ADJUSTABLE SHELF PER SIDE COMPARTMENT FITTED AS STANDARD. THE UNIT COMES POWDERCOATED IN A RANGE OF COLOURS. IT IS A REMOVABLE BODY AND CLAMPS TO YOUR ALUMINIUM OR STEEL TRAY WITH THE TSB CLAMPING SYSTEM (INCL).

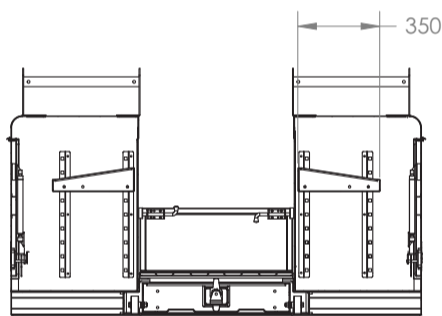
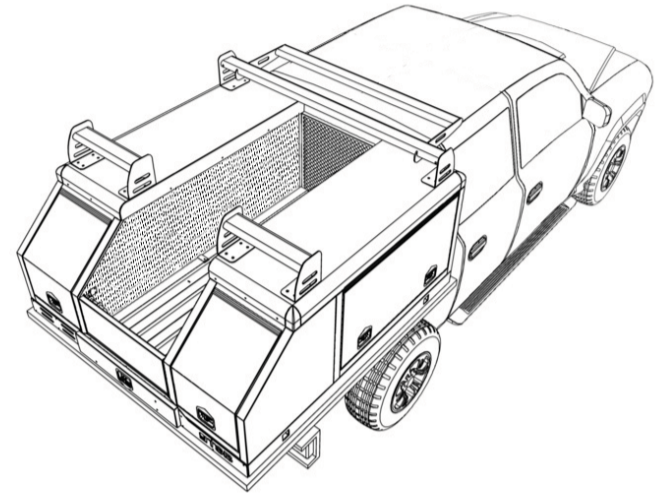
- SUITABLE FOR ALL 1 TONNE DUAL/CREW CAB VEHICLES.
- LIGHT WEIGHT, RUST RESISTANT ALUMINIUM CONSTRUCTION.

OPTIONS:

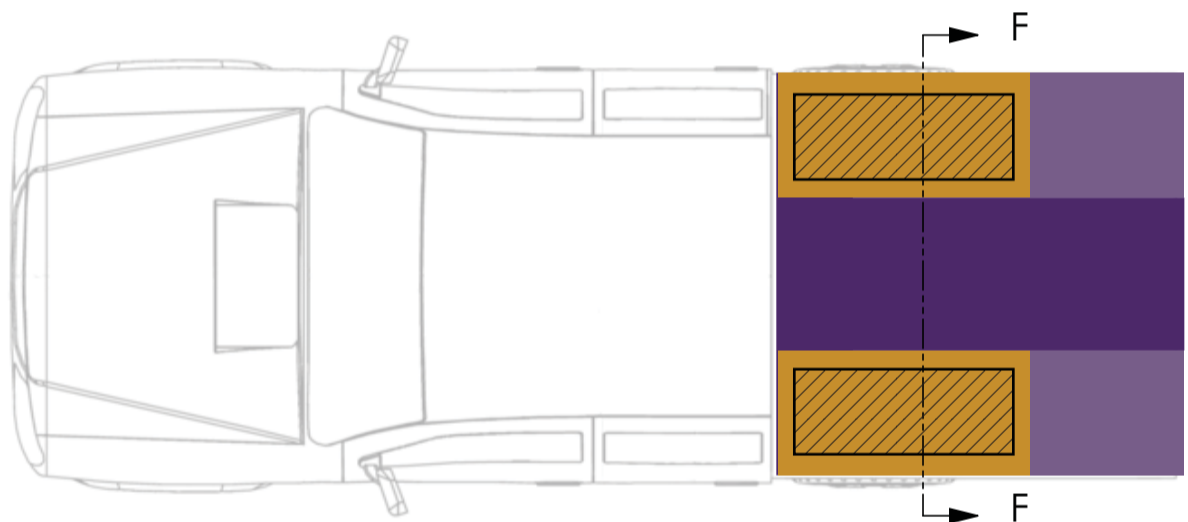
- ADDITIONAL SHELVING
- SLIDE OUT DRAWERS
- SLIDE OUT WORKBENCH
- REMOTE CENTRAL LOCKING
- REVERSING CAMERA
- UNDERSIDE TOOLBOXES
- UNDERSIDE WASH STATION
- REAR SWING OUT VICE
- INTERNAL SLIDE OUT VICE
- LADDER RACK EXTENTION

- LADDER RACK ROLLERS
- ADJUSTABLE GAS BOTTLE MOUNTS
- VENTED COMPARTMENTS
- ROTARY VENTS
- RUBBER OR CARPET FLOOR/SHELF MATS
- CONDUIT TUBES
- EMERGENCY LIGHTING/ FLOOD LIGHTS
- REAR STEP/GRAB HANDLES
- JACKS (SET OF 4)

*REFER TO WEBSITE FOR FULL LIST OF ACCESSORIES & PRICES

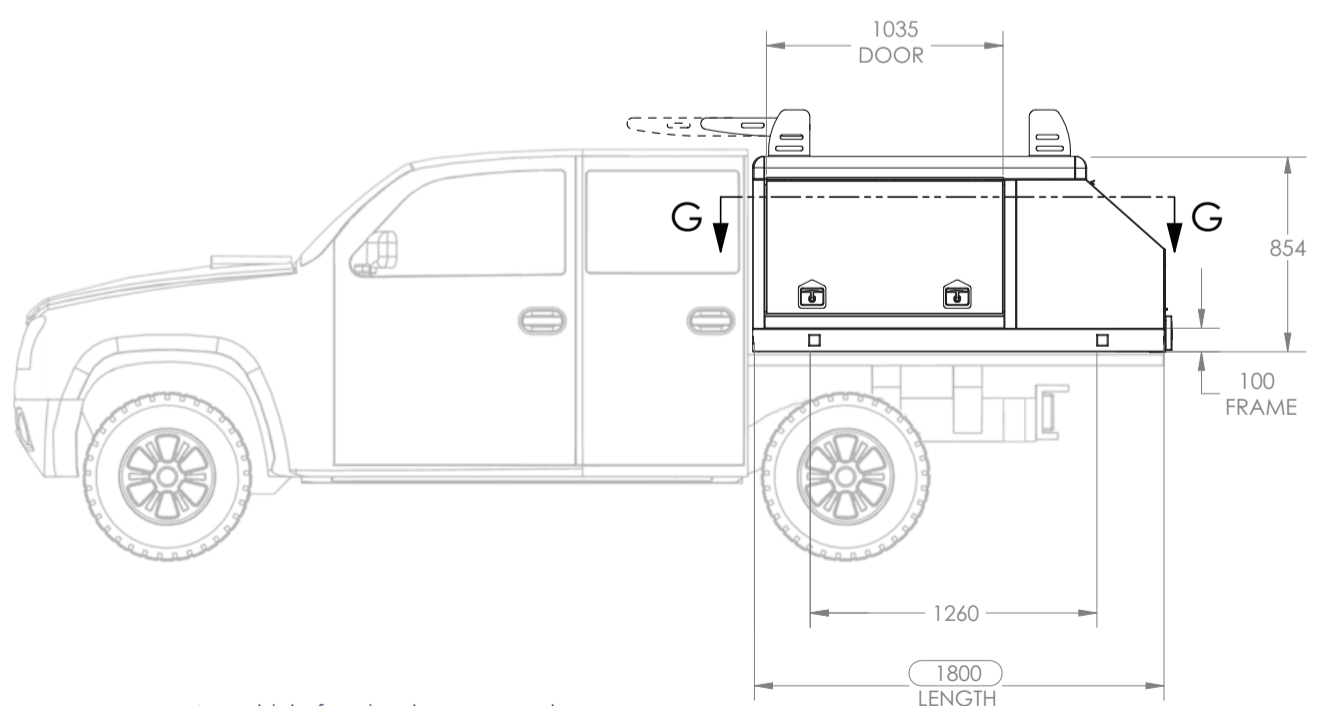
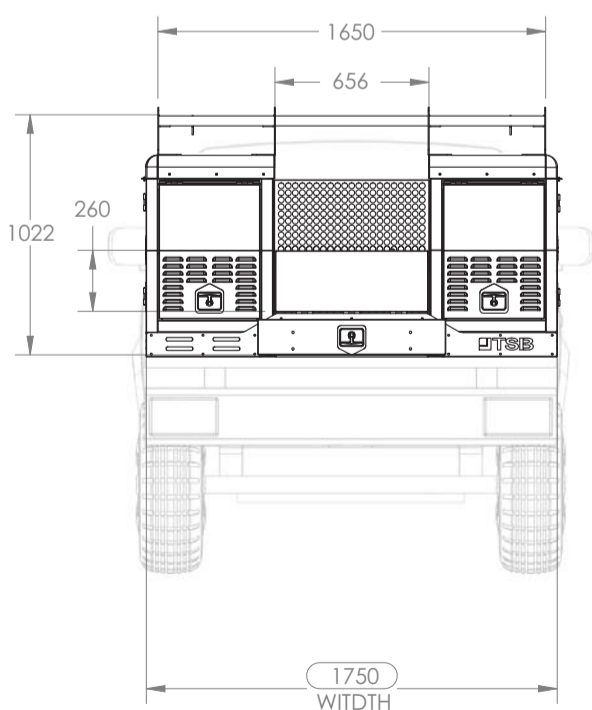


STANDARD SHELVING F-F SECTION VIEW



FLOOR PLAN G-G

- AISLE
- COMPARTMENT 1
- COMPARTMENT 2
- ▨ STANDARD SHELF



note: vehicle for visual puposes only



TRADE SERVICE BODY

28 Quality Drive, Dandenong, Victoria, 3175
 ph 1300 131 574 Email info@tsb.net.au
www.tsb.net.au