

# 1800 DIESEL S3

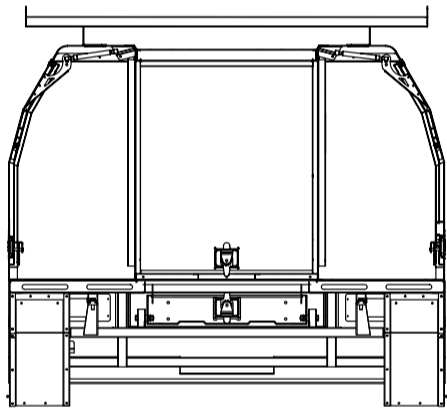
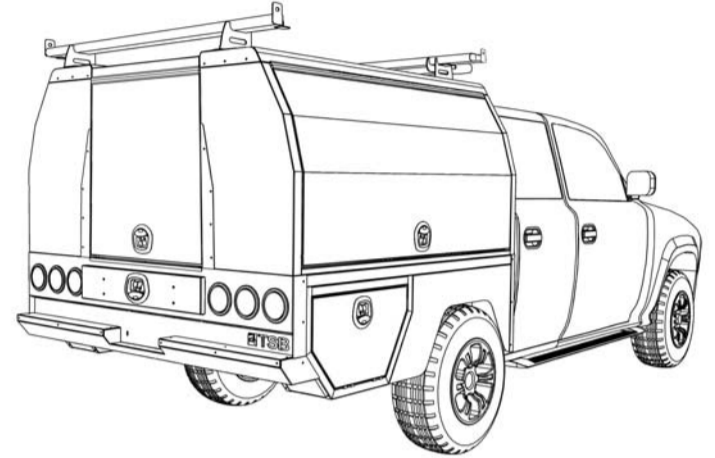
THE FIXED DIESEL MODEL IS A FULLY ENCLOSED UNIT. COMPRISED OF 1 LARGE OPEN UPPER COMPARTMENT, ACCESSED FROM ALL SIDES + 2 UNDERSIDE COMPARTMENTS. INTERNAL WALLS CAN BE CUSTOMISED AS REQUIRED. 300KG RATED LADDER RACKS, AND SHOVEL DRAWER ARE FITTED AS STANDARD. THE UNIT COMES POWDERCOATED IN A RANGE OF COLOURS. IT IS A FIXED BODY UNIT, MOUNTED DIRECTLY TO THE CAB CHASSIS.

- SUITABLE FOR ALL 1 TONNE SINGLE CAB VEHICLES.
- LIGHT WEIGHT, RUST RESISTANT ALUMINIUM CONSTRUCTION.

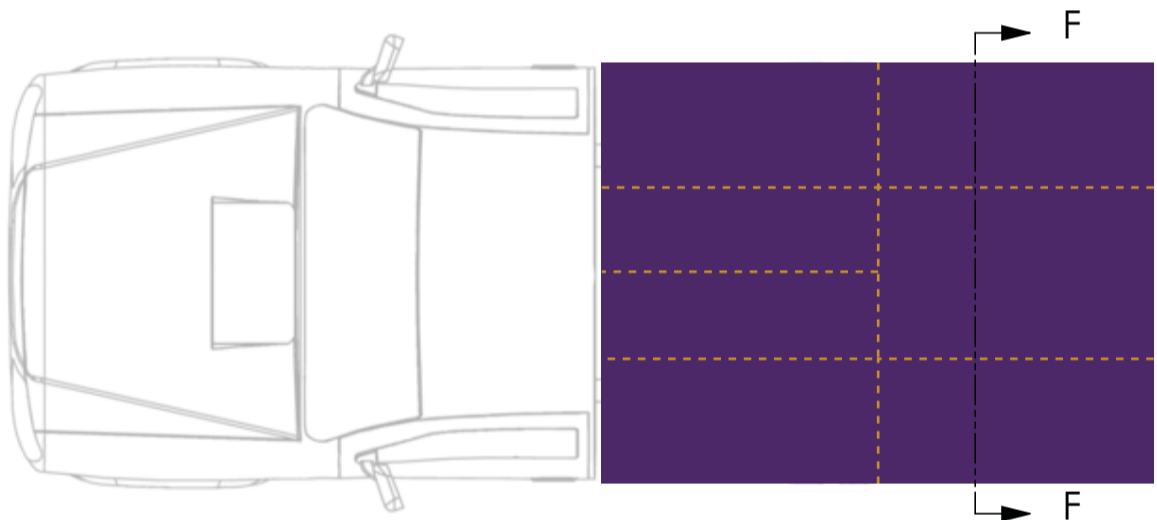
## OPTIONS:

- |                         |                                   |
|-------------------------|-----------------------------------|
| ADDITIONAL SHELVING     | ADJUSTABLE GAS BOTTLE MOUNTS      |
| SLIDE OUT DRAWERS       | VENTED COMPARTMENTS               |
| SLIDE OUT WORKBENCH     | ROTARY VENTS                      |
| REMOTE CENTRAL LOCKING  | RUBBER OR CARPET FLOOR/SHELF MATS |
| REVERSING CAMERA        | PIVOTING SPARE WHEEL MOUNT        |
| REAR SWING OUT VICE     | COMPRESSOR MANIFOLD               |
| INTERNAL SLIDE OUT VICE | EMERGENCY LIGHTING/ FLOOD LIGHTS  |
| LADDER RACK EXTENSION   | BI-FOLD DOORS                     |
| LADDER RACK ROLLERS     |                                   |
| LADDER RACK INFILL BARS |                                   |

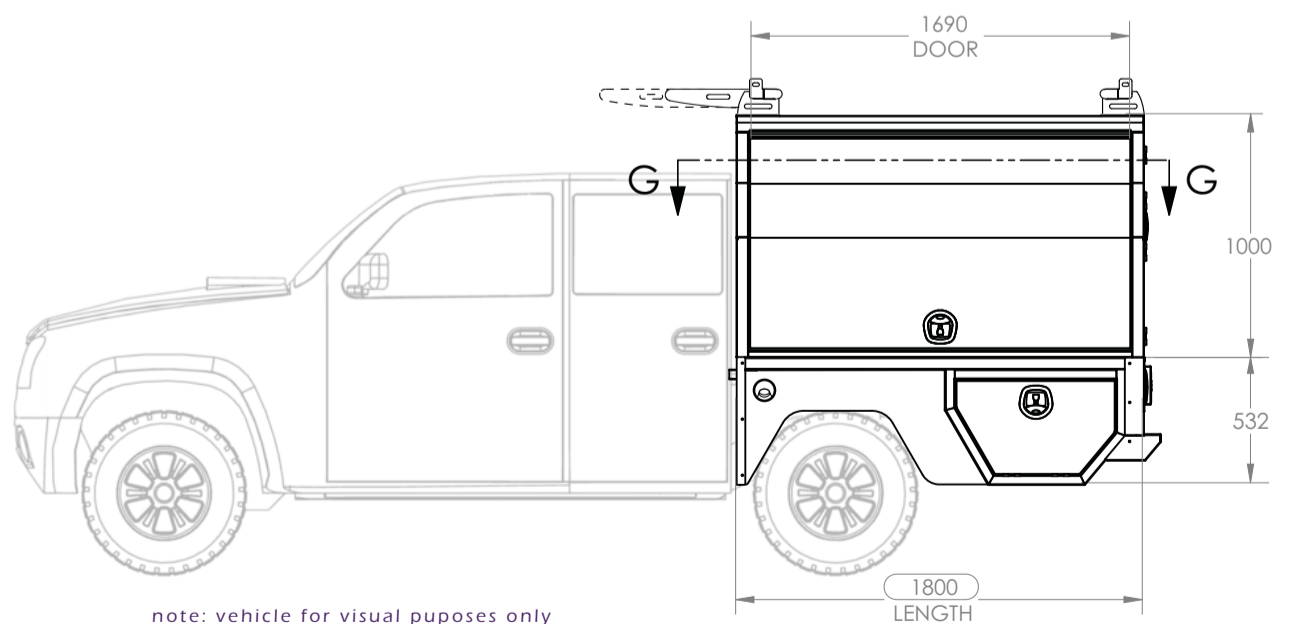
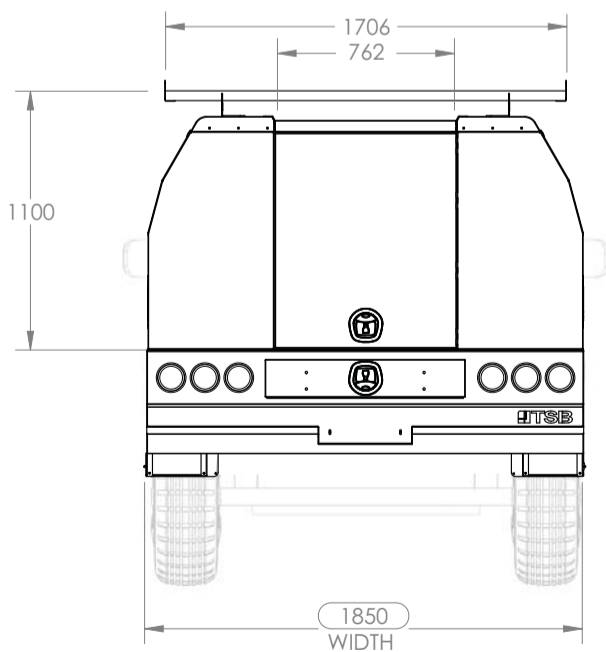
\*REFER TO WEBSITE FOR FULL LIST OF ACCESSORIES



STANDARD SHELVING F-F  
SECTION VIEW



FLOOR PLAN G-G  
■ COMPARTMENT 1  
□ OPTIONAL WALLS



# TSB

## TRADE SERVICE BODY

28 Quality Drive, Dandenong, Victoria, 3175  
ph 1300 131 574 Email info@tsb.net.au  
[www.tsb.net.au](http://www.tsb.net.au)