

# 1800 FIXED TELCO S3

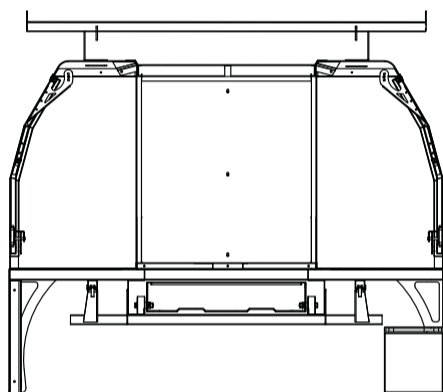
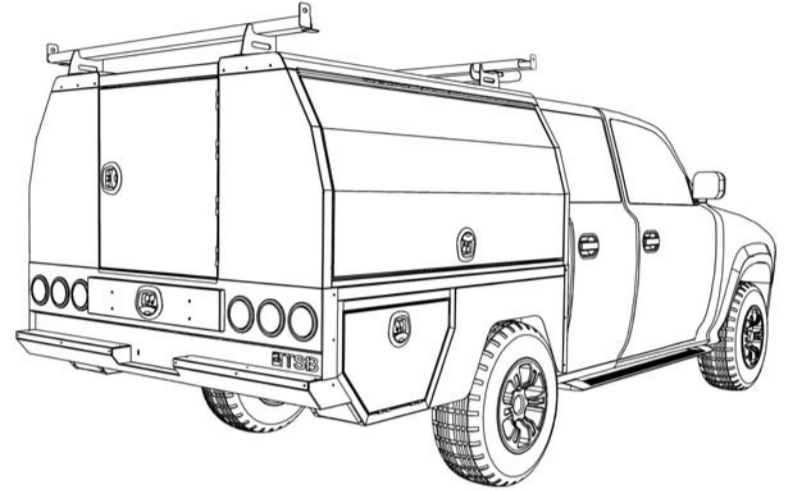
THE FIXED TELCO MODEL IS A FULLY ENCLOSED UNIT. COMPRISED OF 1 LARGE OPEN UPPER COMPARTMENT, ACCESSED FROM ALL SIDES + 2 UNDERSIDE COMPARTMENTS. INTERNAL WALLS CAN BE CUSTOMISED AS REQUIRED. THE WORKING HEIGHT OF THIS UNIT ALLOWS ACCESS TO UNDERGROUND CARPARKS. 300KG RATED LADDER RACKS AND SHOVEL DRAWER ARE FITTED AS STANDARD. THE UNIT COMES POWDERCOATED IN A RANGE OF COLOURS. IT IS A FIXED BODY UNIT, MOUNTED DIRECTLY TO THE CAB CHASSIS.

- SUITABLE FOR ALL 1 TONNE SINGLE CAB VEHICLES.
- LIGHT WEIGHT, RUST RESISTANT ALUMINIUM CONSTRUCTION.

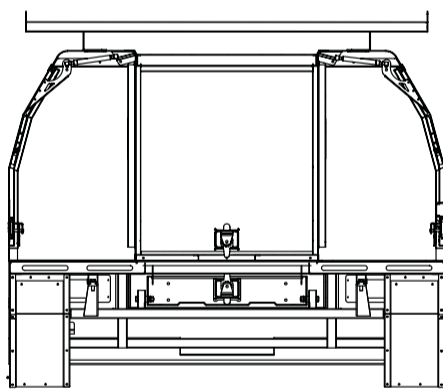
## OPTIONS:

- |                         |                                   |
|-------------------------|-----------------------------------|
| ADDITIONAL SHELVING     | ADJUSTABLE GAS BOTTLE MOUNTS      |
| SLIDE OUT DRAWERS       | VENTED COMPARTMENTS               |
| SLIDE OUT WORKBENCH     | ROTARY VENTS                      |
| REMOTE CENTRAL LOCKING  | RUBBER OR CARPET FLOOR/SHELF MATS |
| REVERSING CAMERA        | PIVOTING SPARE WHEEL MOUNT        |
| REAR SWING OUT VICE     | COMPRESSOR MANIFOLD               |
| INTERNAL SLIDE OUT VICE | EMERGENCY LIGHTING/ FLOOD LIGHTS  |
| LADDER RACK EXTENSION   | BI-FOLD DOORS                     |
| LADDER RACK ROLLERS     |                                   |
| LADDER RACK INFILL BARS |                                   |

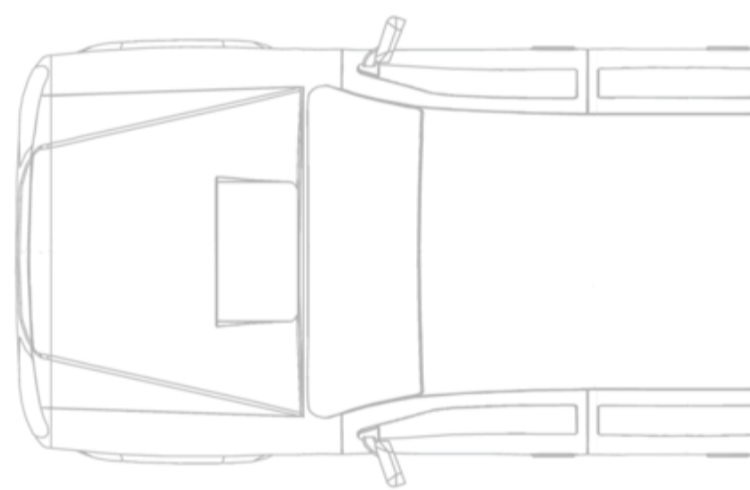
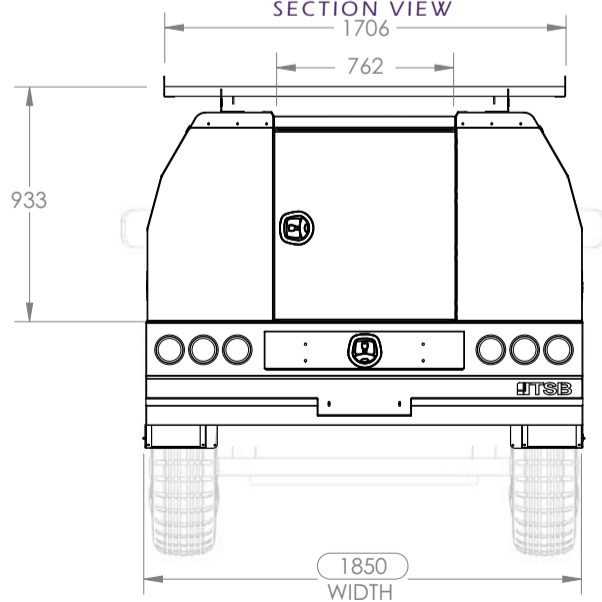
\*REFER TO WEBSITE FOR FULL LIST OF ACCESSORIES



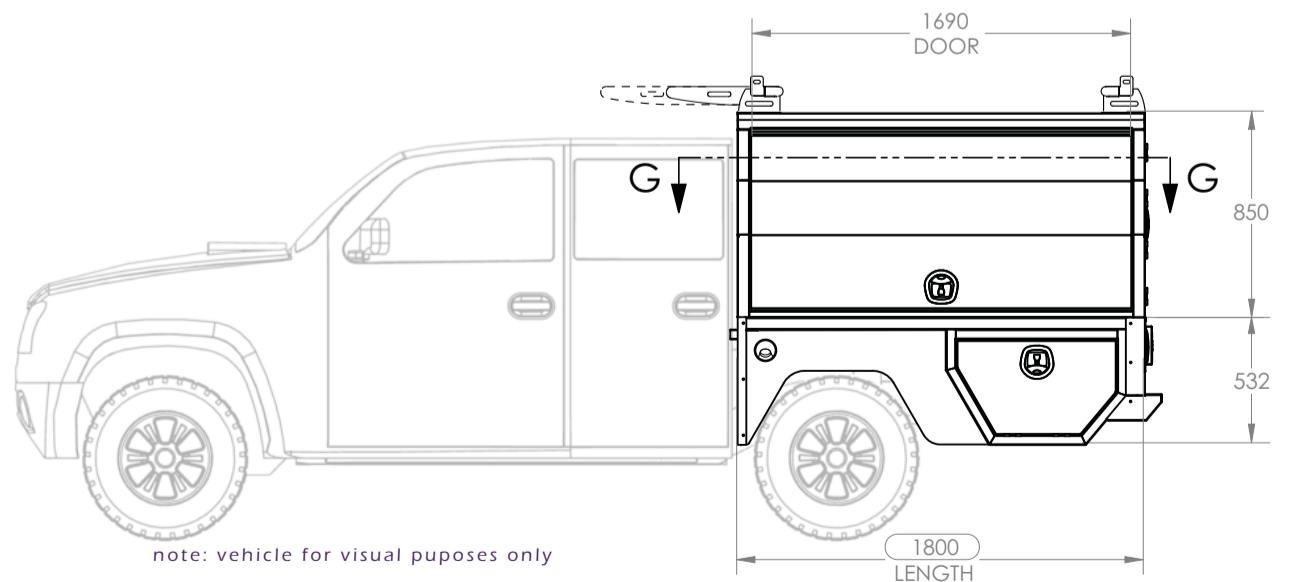
STANDARD SHELVING E-E  
SECTION VIEW



STANDARD SHELVING F-F  
SECTION VIEW



FLOOR PLAN G-G ■ COMPARTMENT 1  
□ OPTIONAL WALLS



note: vehicle for visual puposes only



## TRADE SERVICE BODY

28 Quality Drive, Dandenong, Victoria, 3175  
ph 1300 131 574 Email info@tsb.net.au  
www.tsb.net.au