

2100 DIESEL S3

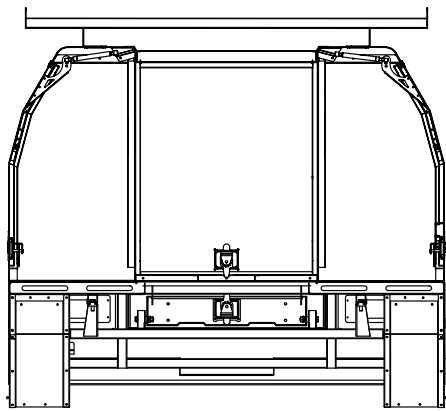
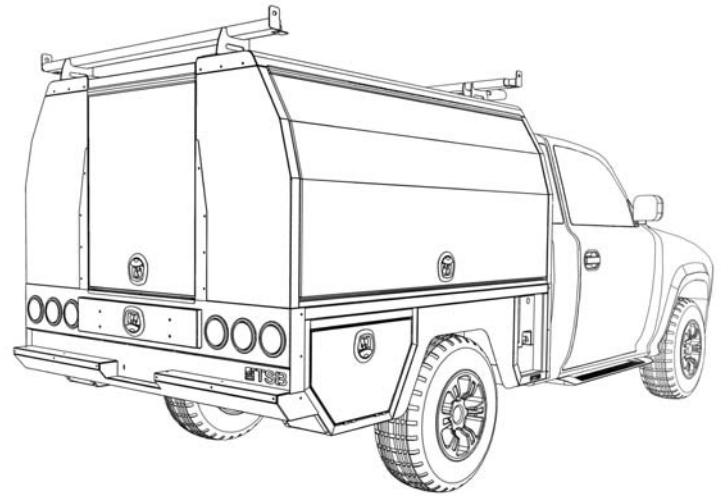
THE FIXED DIESEL MODEL IS A FULLY ENCLOSED UNIT. COMPRISED OF 1 LARGE OPEN UPPER COMPARTMENT, ACCESSED FROM ALL SIDES + 2 UNDERSIDE COMPARTMENTS. INTERNAL WALLS CAN BE CUSTOMISED AS REQUIRED. 300KG RATED LADDER RACKS, SHOVEL DRAWER AND UNDERSIDE WASH STATION ARE FITTED AS STANDARD. THE UNIT COMES POWDERCOATED IN A RANGE OF COLOURS. IT IS A FIXED BODY UNIT, MOUNTED DIRECTLY TO THE CAB CHASSIS.

- SUITABLE FOR ALL 1 TONNE SINGLE CAB VEHICLES.
- LIGHT WEIGHT, RUST RESISTANT ALUMINIUM CONSTRUCTION.

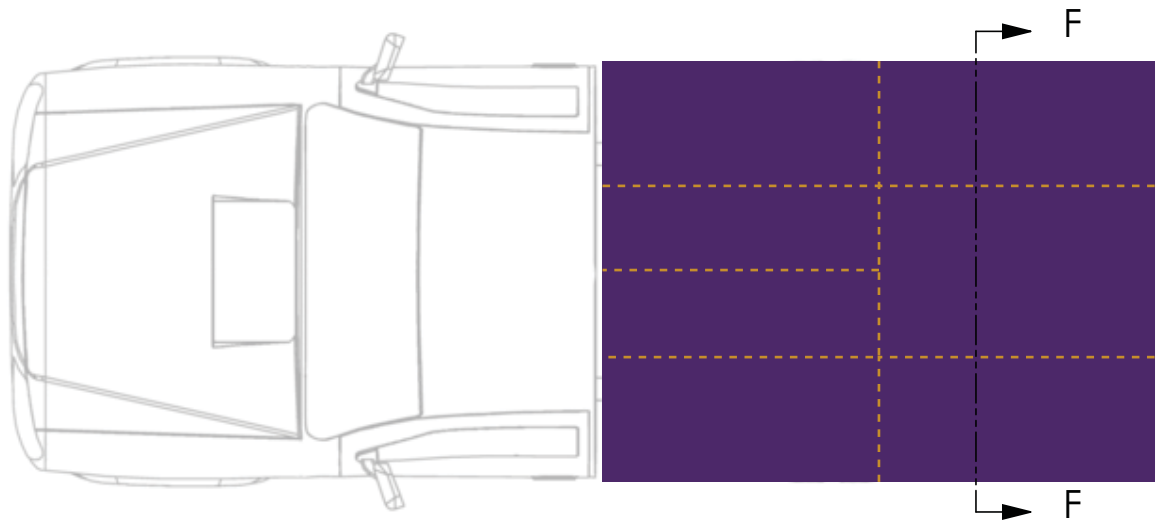
OPTIONS:

- | | |
|-------------------------|-----------------------------------|
| ADDITIONAL SHELVING | ADJUSTABLE GAS BOTTLE MOUNTS |
| SLIDE OUT DRAWERS | VENTED COMPARTMENTS |
| SLIDE OUT WORKBENCH | ROTARY VENTS |
| REMOTE CENTRAL LOCKING | RUBBER OR CARPET FLOOR/SHELF MATS |
| REVERSING CAMERA | PIVOTING SPARE WHEEL MOUNT |
| REAR SWING OUT VICE | COMPRESSOR MANIFOLD |
| INTERNAL SLIDE OUT VICE | EMERGENCY LIGHTING/ FLOOD LIGHTS |
| LADDER RACK EXTENSION | BI-FOLD DOORS |
| LADDER RACK ROLLERS | |
| LADDER RACK INFILL BARS | |

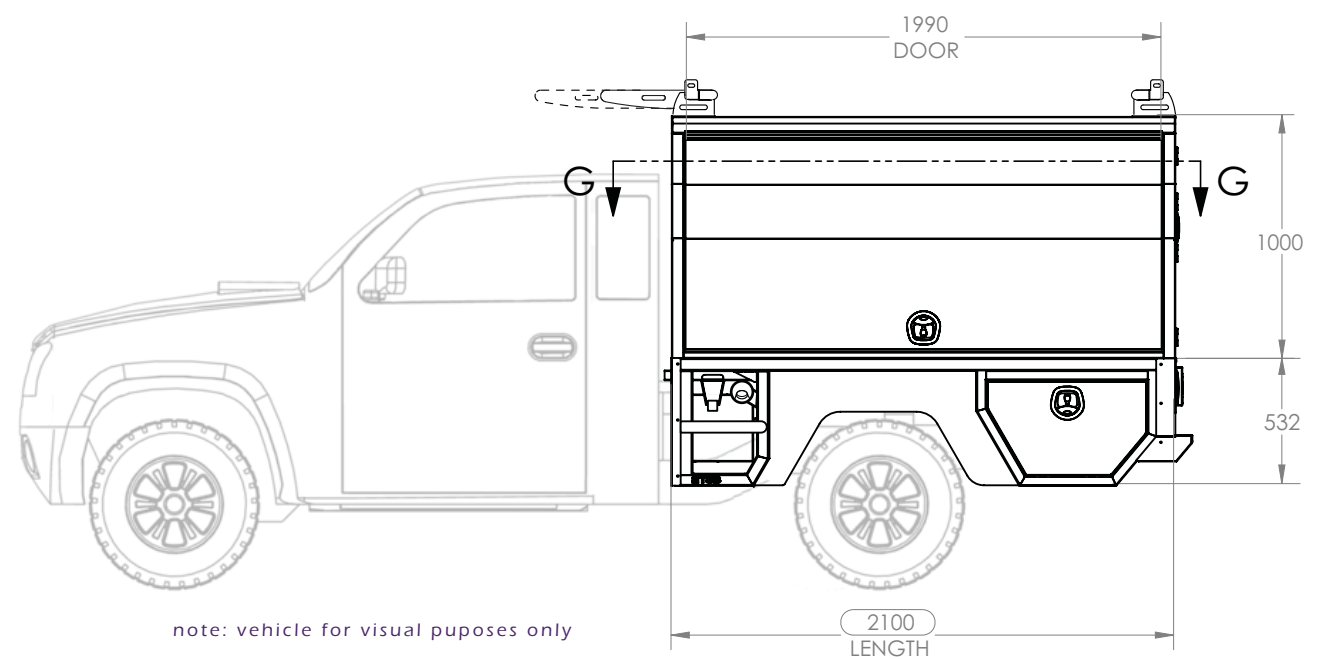
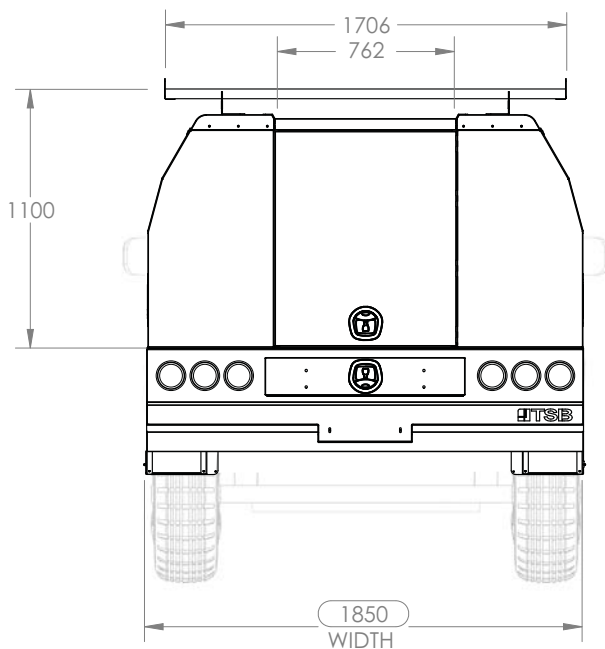
*REFER TO WEBSITE FOR FULL LIST OF ACCESSORIES



STANDARD SHELVING F-F SECTION VIEW



FLOOR PLAN G-G
 ■ COMPARTMENT 1
 □ OPTIONAL WALLS



TRADE SERVICE BODY

28 Quality Drive, Dandenong, Victoria, 3175
 ph 1300 131 574 Email info@tsb.net.au
www.tsb.net.au