

2100 FIXED PLUMBERS S3

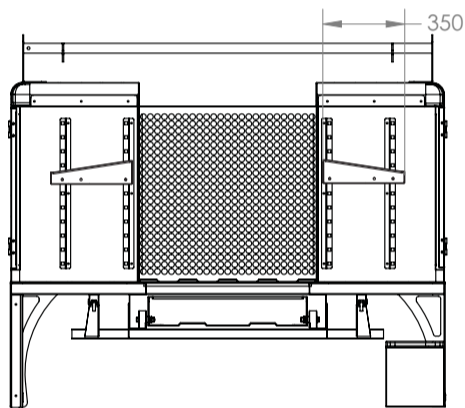
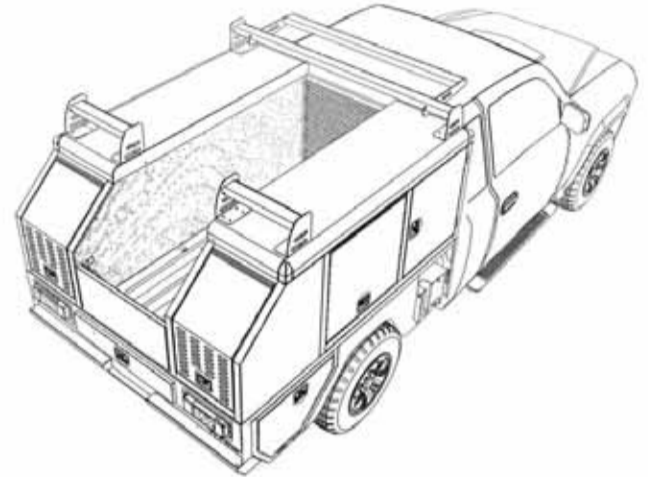
THE FIXED PLUMBER MODEL IS COMPRISED OF 8 COMPARTMENTS, 2 ACCESSED FROM EACH SIDE, 2 FROM THE REAR AND 2 UNDERSIDE. THE UNIT ALSO INCLUDES A FULL LENGTH CENTRE AISLE. THE REAR COMPARTMENTS ARE SPECIFICALLY DESIGNED FOR GAS BOTTLE STORAGE. 300KG RATED LADDER RACKS, SHOVEL DRAWER, WASH STATION AND 1 ADJUSTABLE SHELF PER SIDE COMPARTMENT FITTED AS STANDARD. THE UNIT COMES POWDERCOATED IN A RANGE OF COLOURS. IT IS A FIXED BODY UNIT, MOUNTED DIRECTLY TO THE CAB CHASSIS.

- SUITABLE FOR ALL 1 TONNE SPACE/EXTRA CAB VEHICLES.
- LIGHT WEIGHT, RUST RESISTANT ALUMINIUM CONSTRUCTION.

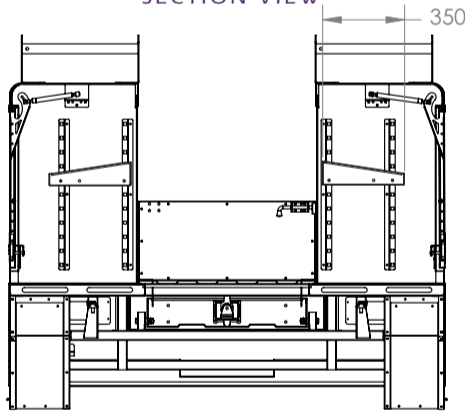
OPTIONS:

- | | |
|------------------------|-----------------------------------|
| ADDITIONAL SHELVING | ADJUSTABLE GAS BOTTLE MOUNTS |
| SLIDE OUT DRAWERS | ROTARY VENTS |
| SLIDE OUT WORKBENCH | RUBBER OR CARPET FLOOR/SHELF MATS |
| REMOTE CENTRAL LOCKING | CONDUIT TUBES |
| REVERSING CAMERA | EMERGENCY LIGHTING/ FLOOD LIGHTS |
| REAR SWING OUT VICE | |
| LADDER RACK EXTENTION | |
| LADDER RACK ROLLERS | |
| REAR STEP/GRAB HANDLES | |
| VENTED COMPARTMENTS | |

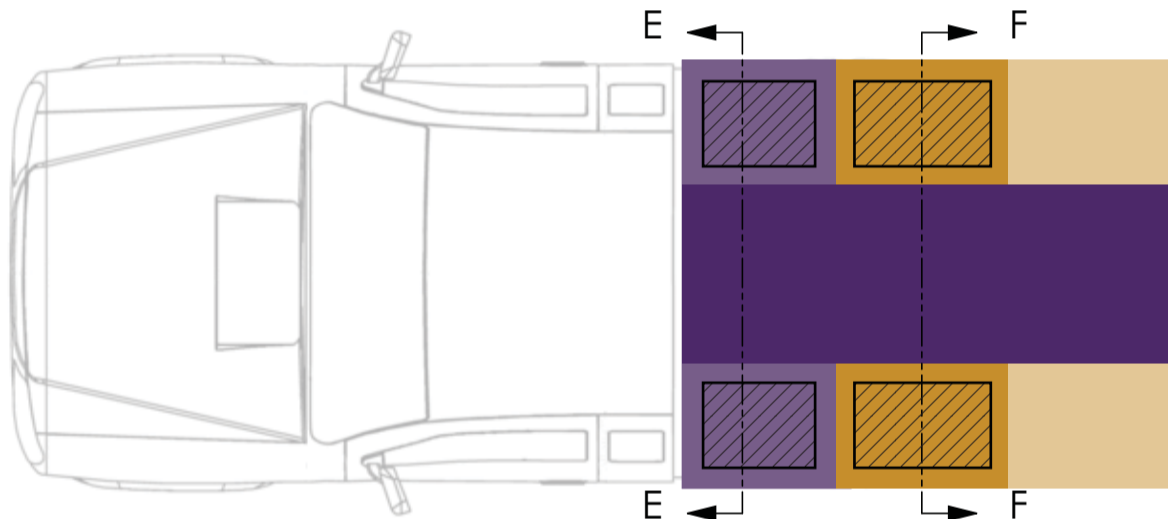
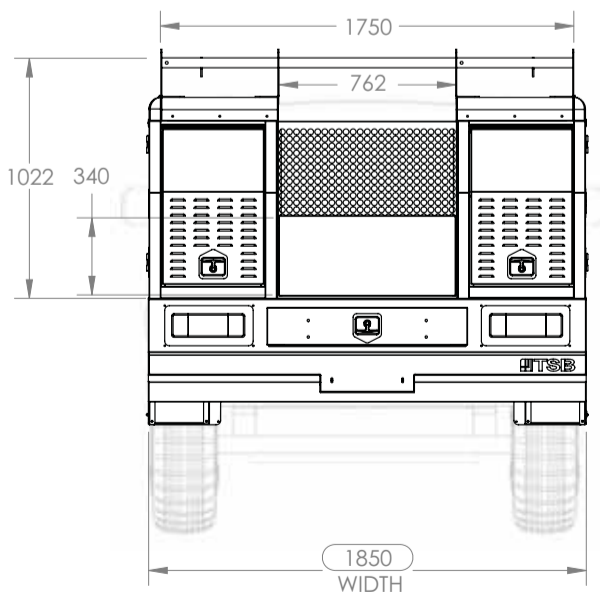
*REFER TO WEBSITE FOR FULL LIST OF ACCESSORIES



STANDARD SHELVING E-E
SECTION VIEW

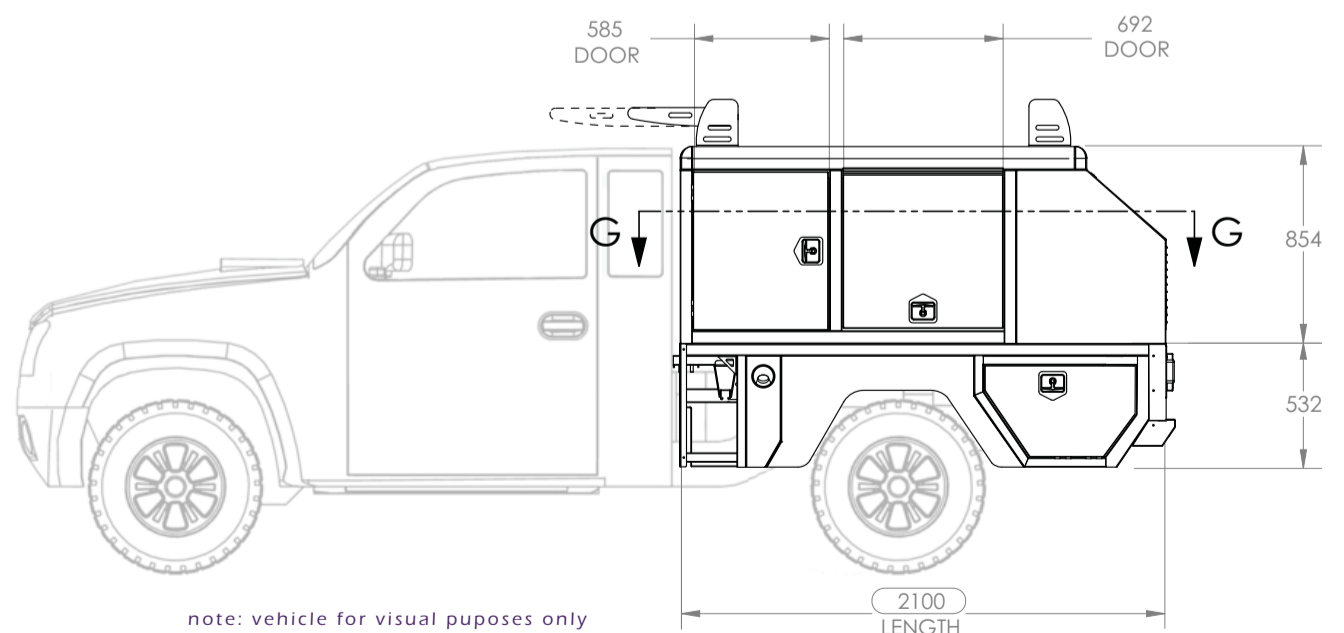


STANDARD SHELVING F-F
SECTION VIEW



FLOOR PLAN G-G

- AISLE
- COMPARTMENT 1
- COMPARTMENT 2
- COMPARTMENT 3
- ▨ STANDARD SHELF



TRADE SERVICE BODY

28 Quality Drive, Dandenong, Victoria, 3175
ph 1300 131 574 Email info@tsb.net.au
www.tsb.net.au