

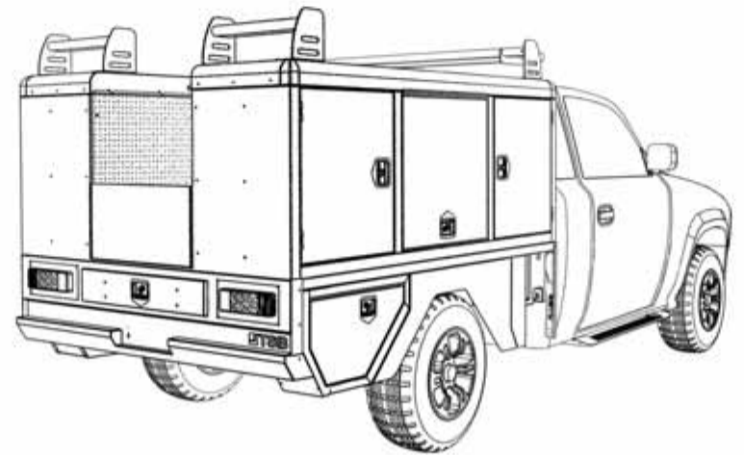
2100 FIXED UTILITY S3

THE FIXED UTILITY MODEL IS COMPRISED OF 8 COMPARTMENTS, 6 ACCESSED FROM EACH SIDE, 2 FROM UNDERSIDE, AND A 3/4 LENGTH CENTRE AISLE, THE FRONT COMPARTMENTS ARE THE FULL WIDTH OF THE TSB, WITH A CENTRE DIVIDER WALL. 300KG RATED LADDER LACKS, SHOVEL DRAWER, UNDERSIDE WASH STATION AND 1 ADJUSTABLE SHELF PER UPPER COMPARTMENT ARE FITTED AS STANDARD. THE UNIT COMES POWDERCOATED IN A RANGE OF COLOURS. IT IS A FIXED BODY UNIT, MOUNTED DIRECTLY TO THE CAB CHASSIS.

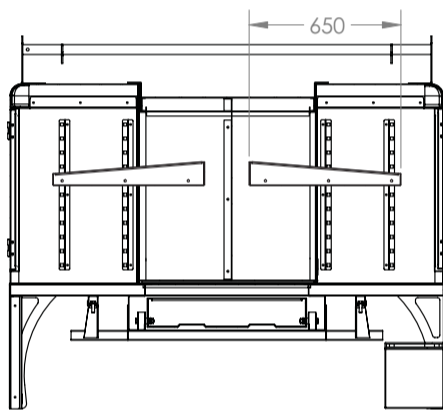
- SUITABLE FOR ALL 1 TONNE SPACE/EXTRA CAB VEHICLES.
- LIGHT WEIGHT, RUST RESISTANT ALUMINIUM CONSTRUCTION.

OPTIONS:

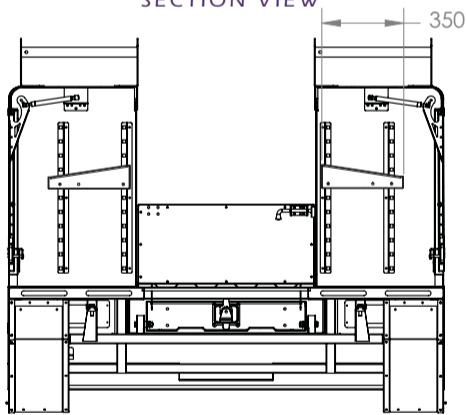
- | | |
|------------------------|-----------------------------------|
| ADDITIONAL SHELVING | ADJUSTABLE GAS BOTTLE MOUNTS |
| SLIDE OUT DRAWERS | ROTARY VENTS |
| SLIDE OUT WORKBENCH | RUBBER OR CARPET FLOOR/SHELF MATS |
| REMOTE CENTRAL LOCKING | CONDUIT TUBES |
| REVERSING CAMERA | EMERGENCY LIGHTING/ FLOOD LIGHTS |
| REAR SWING OUT VICE | |
| LADDER RACK EXTENTION | |
| LADDER RACK ROLLERS | |
| REAR STEP/GRAB HANDLES | |
| VENTED COMPARTMENTS | |



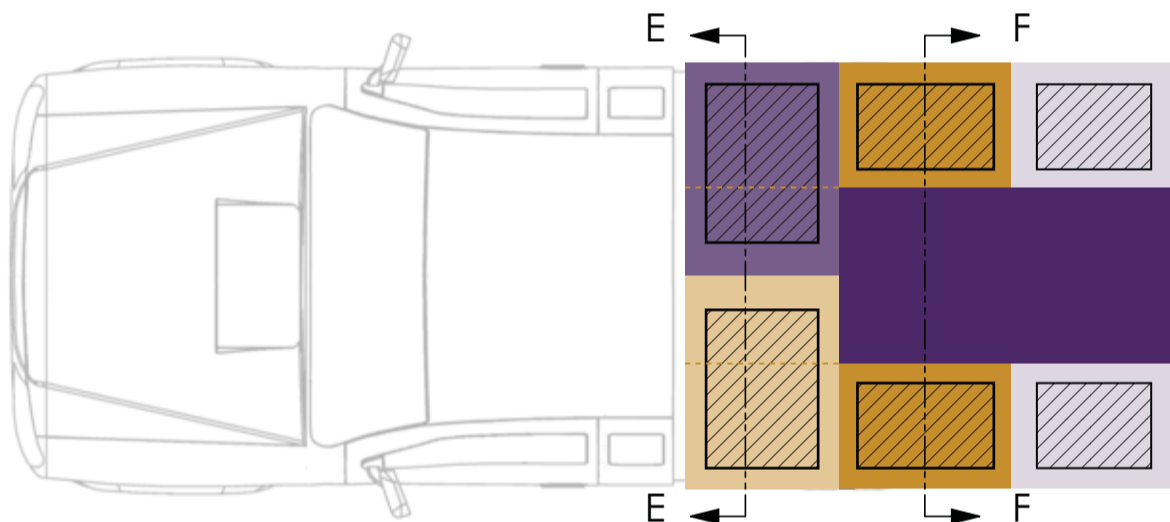
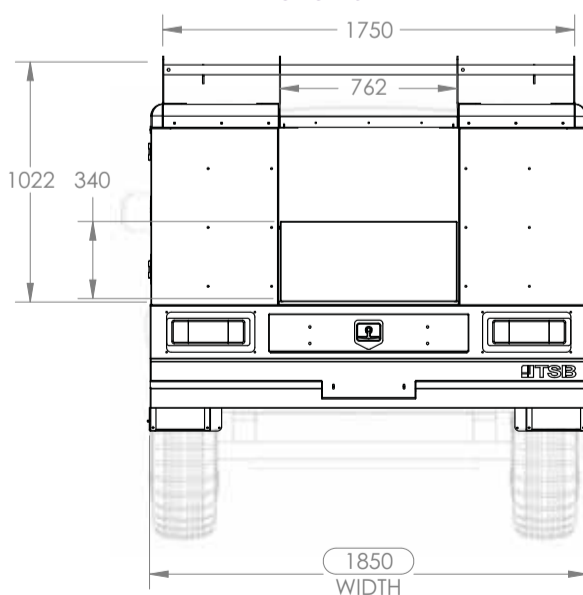
*REFER TO WEBSITE FOR FULL LIST OF ACCESSORIES & PRICES



STANDARD SHELVING E-E SECTION VIEW

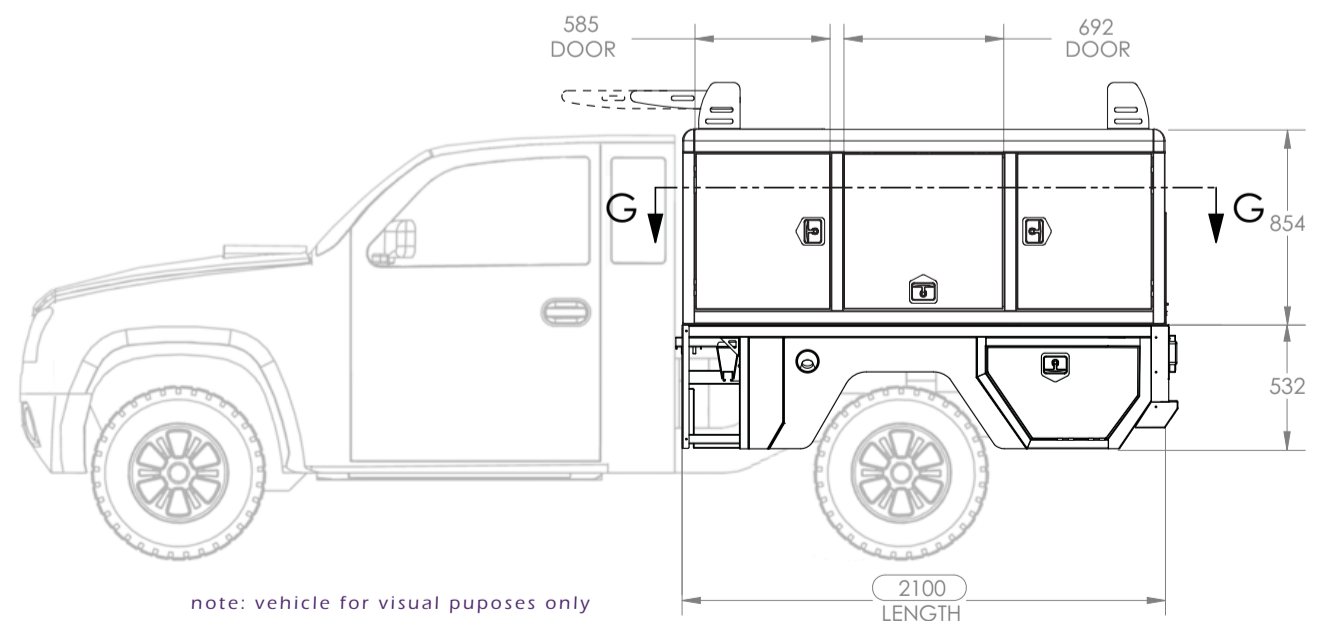


STANDARD SHELVING F-F SECTION VIEW



FLOOR PLAN G-G

- AISLE
- COMPARTMENT 1
- COMPARTMENT 2
- COMPARTMENT 3
- COMPARTMENT 4
- ▨ STANDARD SHELF
- ▤ OPTIONAL WALLS



note: vehicle for visual puposes only



TRADE SERVICE BODY

28 Quality Drive, Dandenong, Victoria, 3175
 ph 1300 131 574 Email info@tsb.net.au
www.tsb.net.au