

# 2400 LT-SERVICE S3 SHOVEL

THE LT SERVICE SHOVEL MODEL IS A FULLY ENCLOSED UNIT. IT IS COMPRISED OF 2 SEPARATE COMPARTMENTS AND 1 LARGE T-SECTION OPEN SPACE. ALL INTERNAL WALLS CAN BE CUSTOMISED. 300KG RATED LADDER RACKS, SHOVEL DRAWER AND 2 ADJUSTABLE SHELVES PER COMPARTMENT FITTED AS STANDARD. THE UNIT COMES POWDERCOATED IN A RANGE OF COLOURS. IT IS A REMOVABLE BODY AND CLAMPS TO YOUR ALUMINIUM OR STEEL TRAY WITH THE TSB CLAMPING SYSTEM (INCL).

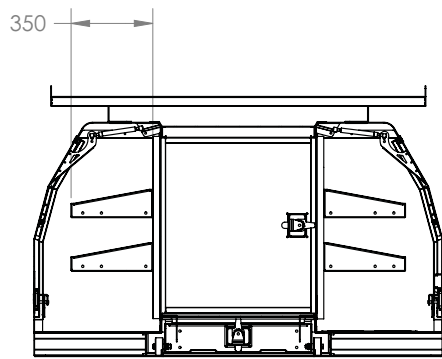
- SUITABLE FOR ALL 1 TONNE SINGLE CAB VEHICLES.
- LIGHT WEIGHT, RUST RESISTANT ALUMINIUM CONSTRUCTION.

## OPTIONS:

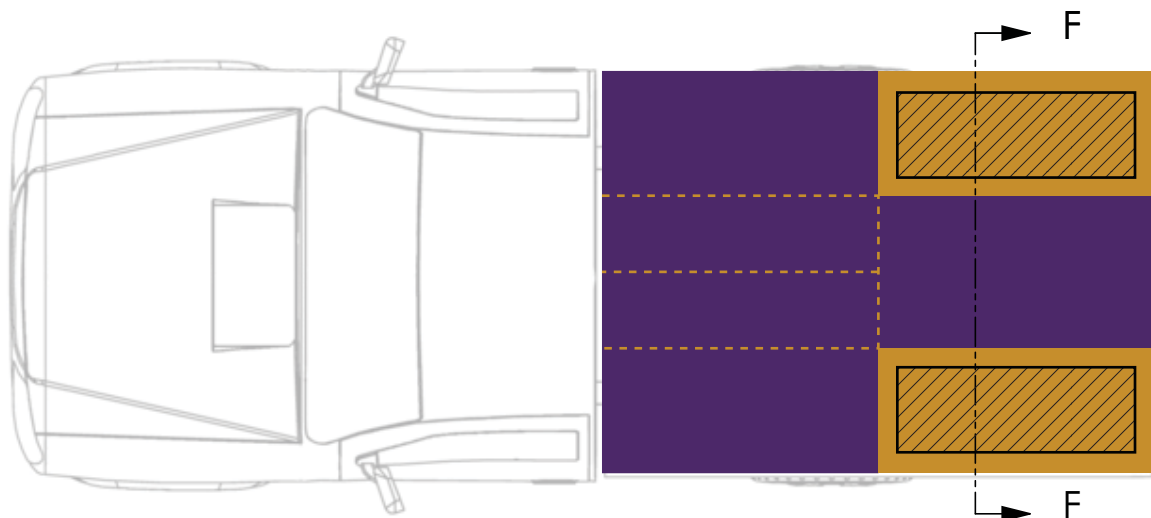
- |                         |                                   |
|-------------------------|-----------------------------------|
| ADDITIONAL SHELVING     | INTERNAL SLIDE OUT VICE           |
| SLIDE OUT DRAWERS       | ADJUSTABLE GAS BOTTLE MOUNTS      |
| SLIDE OUT WORKBENCH     | VENTED COMPARTMENTS               |
| REMOTE CENTRAL LOCKING  | ROTARY VENTS                      |
| REVERSING CAMERA        | RUBBER OR CARPET FLOOR/SHELF MATS |
| UNDERSIDE TOOLBOXES     | PIVOTING SPARE WHEEL MOUNT        |
| UNDERSIDE WASH STATION  | COMPRESSOR MANIFOLD               |
| REAR SWING OUT VICE     | EMERGENCY LIGHTING/ FLOOD LIGHTS  |
| LADDER RACK INFILL BARS | BI-FOLD DOORS                     |
| LADDER RACK EXTENTION   | JACKS (SET OF 4)                  |



\*REFER TO WEBSITE FOR FULL LIST OF ACCESSORIES

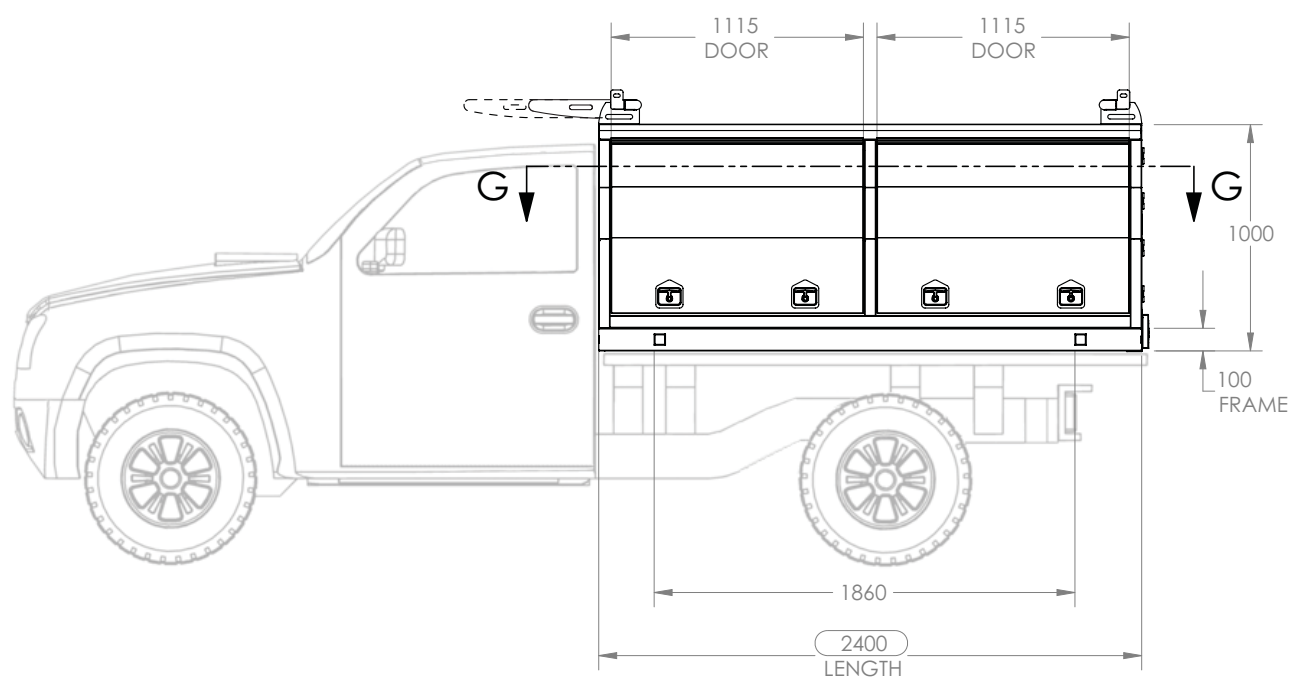
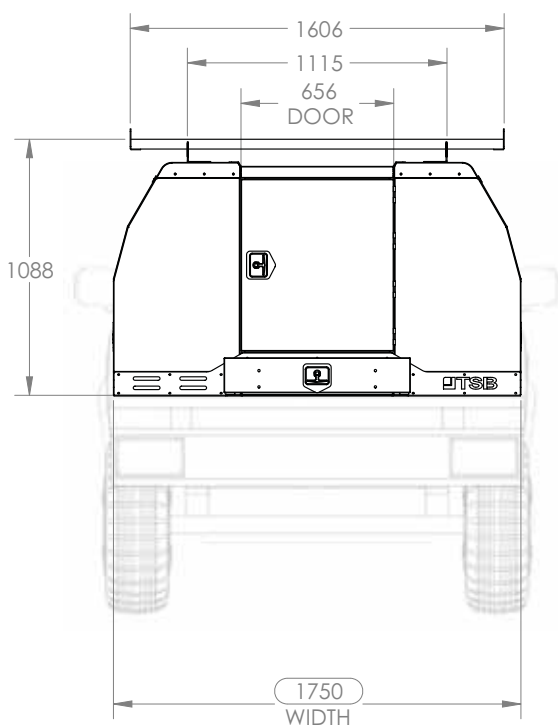


STANDARD SHELVING F-F SECTION VIEW



FLOOR PLAN G-G

- COMPARTMENT 1
- COMPARTMENT 2
- ▨ STANDARD SHELF
- ▤ OPTIONAL WALLS



note: vehicle for visual puposes only



## TRADE SERVICE BODY

28 Quality Drive, Dandenong, Victoria, 3175  
 ph 1300 131 574 Email info@tsb.net.au  
[www.tsb.net.au](http://www.tsb.net.au)